



**Three Pieces Ball Valves**  
**1000 WOG (69 bar)**  
**Size ¼" – 4" (DN 10 -100) Stainless Steel**



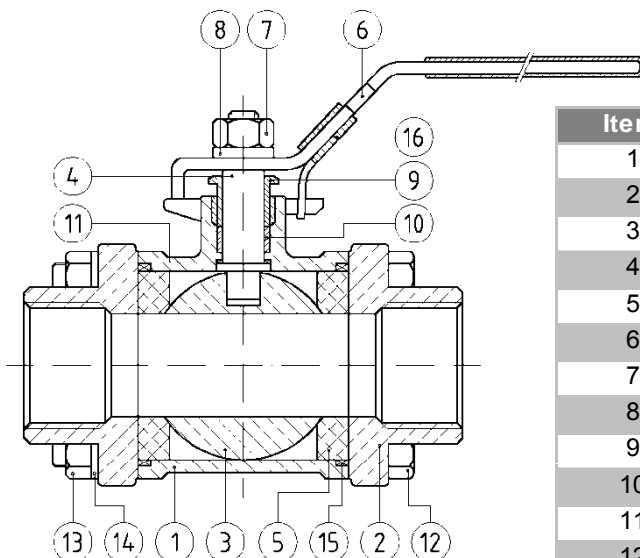
**Fig. 141**  
**FULL BORE**  
**Threaded according:**  
**ASME B1.20.1 (NPT)**



# Three Pieces Ball Valves 1000 WOG (69 bar)

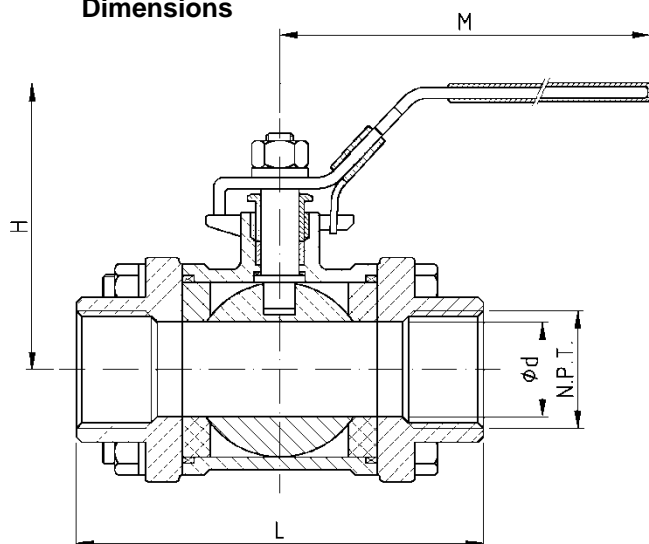
## Parts and materials, Dimensions

### Parts and materials



Item	Description	Material
1	Body	ASTMA351 CF8M
2	Body connector	ASTMA351 CF8M
3	Ball	ASTMA351 CF8M
4	Stem	AISI 316
5	Seat ring	PTFE
6	Wrench	AISI 304
7	Wrench Nut	AISI 304
8	Wrench Washer	AISI 304
9	Gland	AISI 304
10	Gland packing	PTFE
11	Stem thrust seal	PTFE
12	Bolt	AISI 304
13	Nut	AISI 304
14	Washer	AISI 304
15	Seat Gasket	PTFE
16	Lock Device	AISI 304

### Dimensions



SIZE	N.P.T.	Ød	L	M	H	WEIGHT
1/4" (DN 10)	1/4"	11,6	59	105	50	0,31
3/8" (DN 12)	3/8"	12,7	59	105	50	0,35
1/2" (DN 15)	1/2"	15	68,5	105	55	0,41
3/4" (DN 20)	3/4"	20	84	125	60	0,7
1" (DN 25)	1"	25	89	158	72	1,2
1 1/4" (DN 32)	1 1/4"	32	112	158	78	2
1 1/2" (DN 40)	1 1/2"	38	121	195	91	2,5
2" (DN 50)	2"	53	146	195	105	3,7
2 1/2" (DN 65)	2 1/2"	65	165	245	127	7,4
3" (DN 80)	3"	80	183	245	137	12,8
4" (DN 100)	4"	100	232	320	172	23

(\*) Dimensions in mm and weight in kg.

#### Note:

Dimensions not subject to International Standards can vary in  $\pm 10\%$ . ICP reserves the right to change those dimensions without notice, due to they do not affect integrity and performance of the valves.



# Three Pieces Ball Valves

## 1000 WOG (69 bar)

Torque, Kv, P&T Rating

### Torque Values in Nm

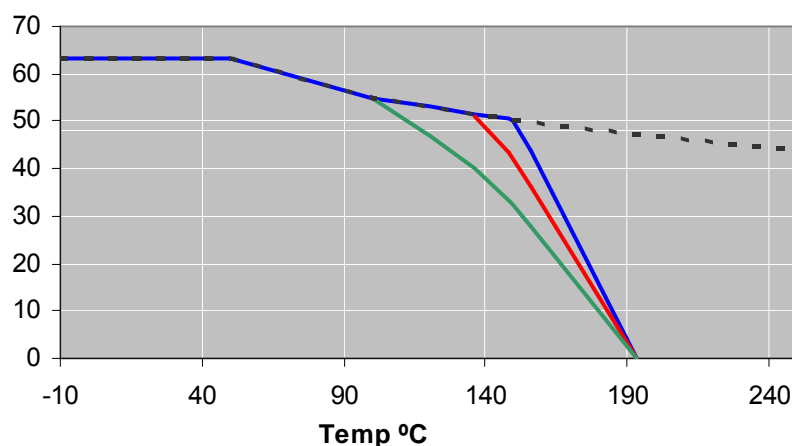
VALVE SIZE	AT DIFFERENTIAL PRESSURE		VALVE SIZE	AT DIFFERENTIAL PRESSURE	
	69 bar			69 bar	
¼" (DN 10)	5,6		1½" (DN 40)	24,9	
⅜" (DN 12)	5,6		2" (DN 50)	45,2	
½" (DN 15)	9		2½" (DN 65)	73,2	
¾" (DN 20)	11,3		3" (DN 80)	128,8	
1" (DN 25)	14,7		4" (DN 100)	165,4	
1¼" (DN 32)	19,2				

### Kv Values in m³/h

VALVE SIZE	Kv	VALVE SIZE	Kv
¼" (DN 10)	6,6	1½" (DN 40)	80,0
⅜" (DN 12)	6,6	2" (DN 50)	150,0
½" (DN 15)	11,2	2½" (DN 65)	265,0
¾" (DN 20)	21,0	3" (DN 80)	415,0
1" (DN 25)	34,0	4" (DN 100)	780,0
1¼" (DN 32)	57,0		

### Pressure-Temperature

P Bar



PTFE SEATS

- 1/4" - 1"
- 1 1/4" - 1 1/2"
- 2" - 4"